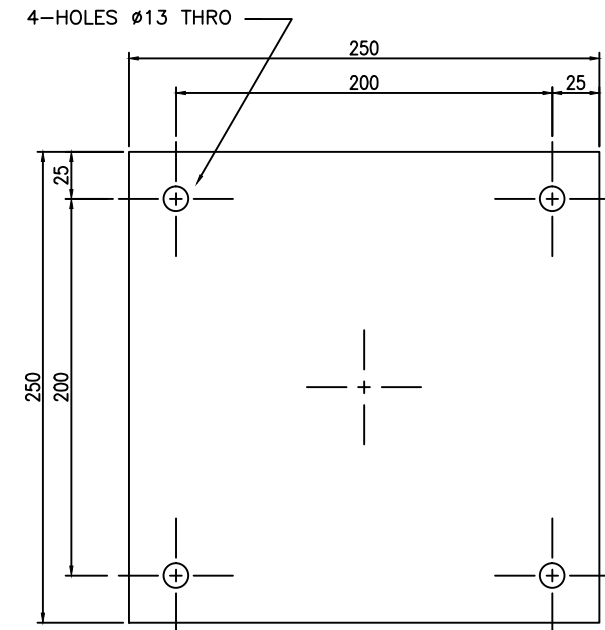
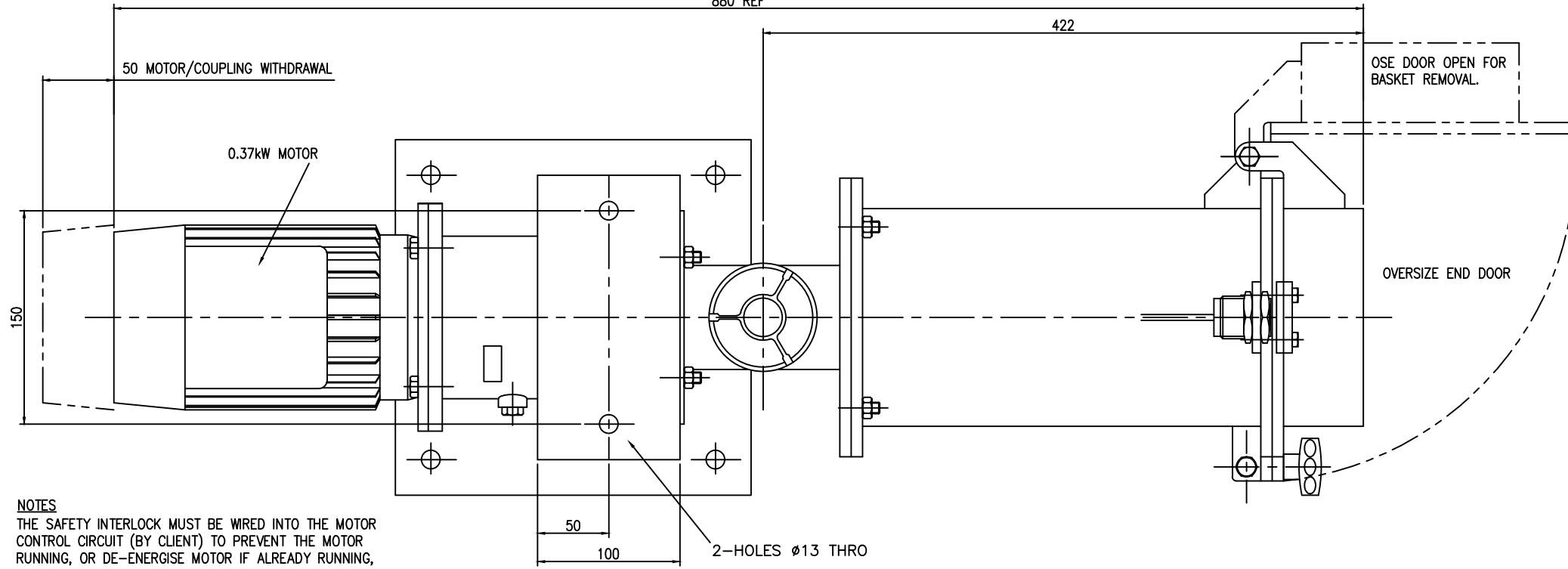


880 REF

DO NOT SCALE DRAWING - IF IN DOUBT ASK



VIEW ON ARROW 'A', SHOWING MOUNTING DETAILS

NOTES

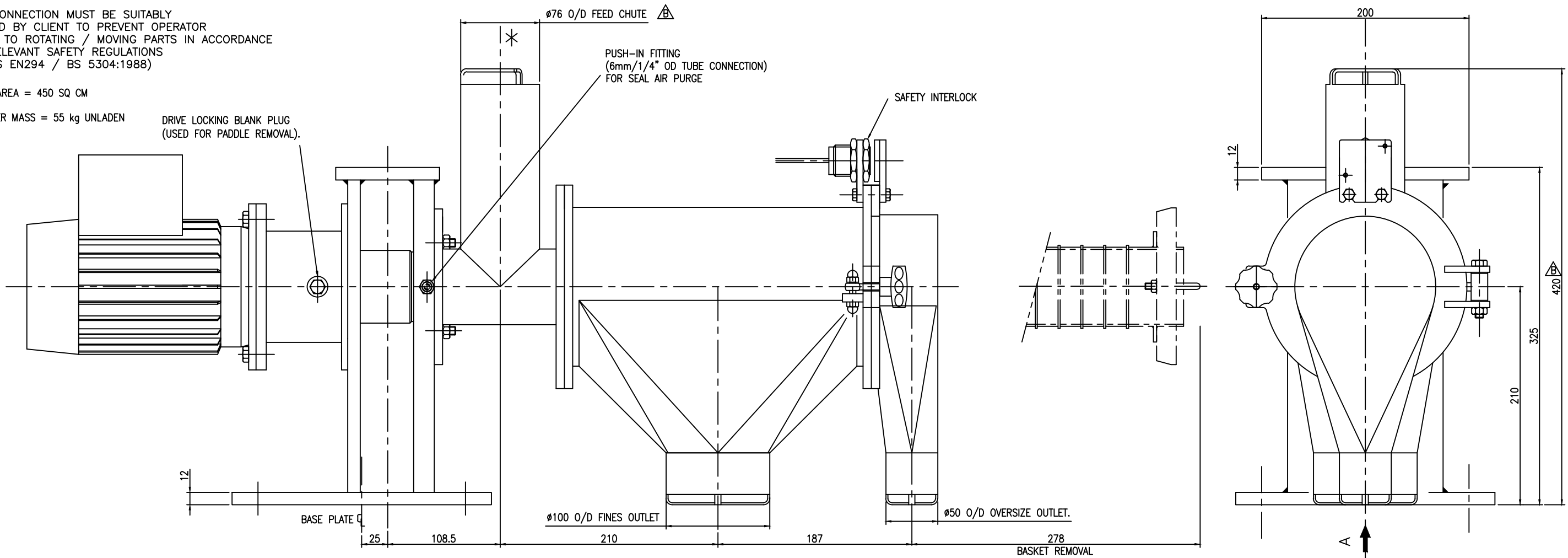
THE SAFETY INTERLOCK MUST BE WIRED INTO THE MOTOR CONTROL CIRCUIT (BY CLIENT) TO PREVENT THE MOTOR RUNNING, OR DE-ENERGISE MOTOR IF ALREADY RUNNING, SHOULD THE INTERLOCK BE ACTUATED BY OPENING THE OVERSIZE END DOOR.

*INLET CONNECTION MUST BE SUITABLY GUARDED BY CLIENT TO PREVENT OPERATOR ACCESS TO ROTATING / MOVING PARTS IN ACCORDANCE WITH RELEVANT SAFETY REGULATIONS (SEE BS EN294 / BS 5304:1988)

SCREEN AREA = 450 SQ CM

EST SIFTER MASS = 55 kg UNLADEN

DRIVE LOCKING BLANK PLUG (USED FOR PADDLE REMOVAL).



THIS DRAWING IS THE PROPERTY OF PROCESS COMPONENTS LTD AND MUST NOT BE COPIED OR SHOWN TO A THIRD PARTY WITHOUT THE WRITTEN CONSENT OF THIS COMPANY. ©

NOT PLOTTED

DRAWING SPECIFICATIONS UNLESS OTHERWISE STATED

Screw threads to BS3643 ISO Metric Coarse Pitch Series (Medium Fit) Surface Finish to BS1134 in micrometres Welding Symbols to BS499 Part 2 Dimension & Geometrical Tolerances to BS308 Limits & Fits to BS4500 Remove all sharp edges and burrs

TOLERANCE SPECIFICATIONS UNLESS OTHERWISE STATED

SHEET METAL DIMENSIONS 0 to 300 ± 1.00 300 to 1000 ± 2.00 Over 1000 ± 3.00 MACHINED DIMENSIONS 0 to 150 ± 0.30 Over 150 ± 0.60 UNMACHINED DIMENSIONS 0 to 150 ± 0.50 Over 150 ± 1.50 ANGULAR DIMENSIONS ± 0°-30'

ALL DIMENSIONS IN MILLIMETRES

THIRD ANGLE PROJECTION

For all material, weld and finish specifications refer to purchase/works order unless stated otherwise

ISSUE B INLET UPDATED WITH SAFETY GRILLE. DIA 76 WAS 76, DIM 420 WAS 440.

CH 13/03/02

ISSUE A FIRST APPROVED ISSUE

SHB 01/12/99



DRAWN BY S.H. Berbrand CHECKED BY

TITLE CANTILEVER LAB SIFTER.

APPROVED BY

SCALE 1:2

DRG No A1 DS490

ISSUE DATE B 13/03/02