

NOTES:-

DO NOT SCALE DRAWING - IF IN DOUBT ASK

1) INLET & OUTLET CONNECTIONS MUST BE SUITABLY GUARDED BY CLIENT TO PREVENT OPERATOR ACCESS TO ROTATING/MOVING PARTS IN LINE WITH RELEVANT REGULATIONS (BS EN 294/BS5304:1988 ETC)

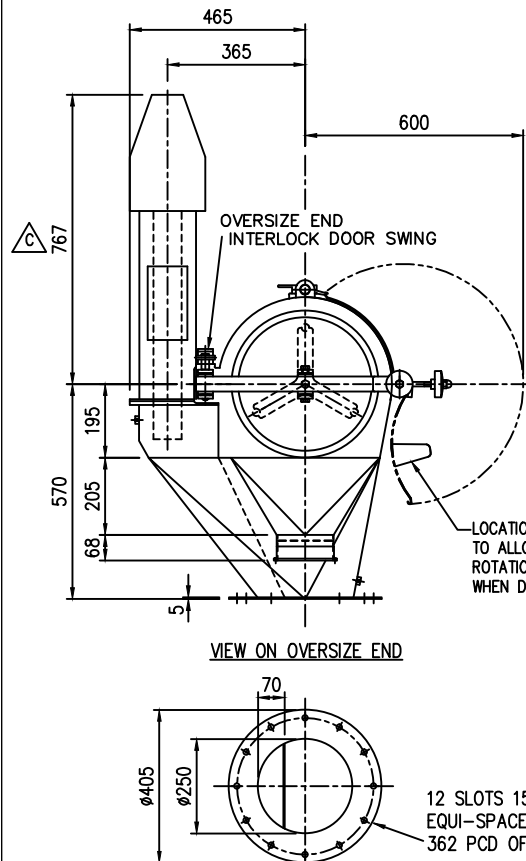
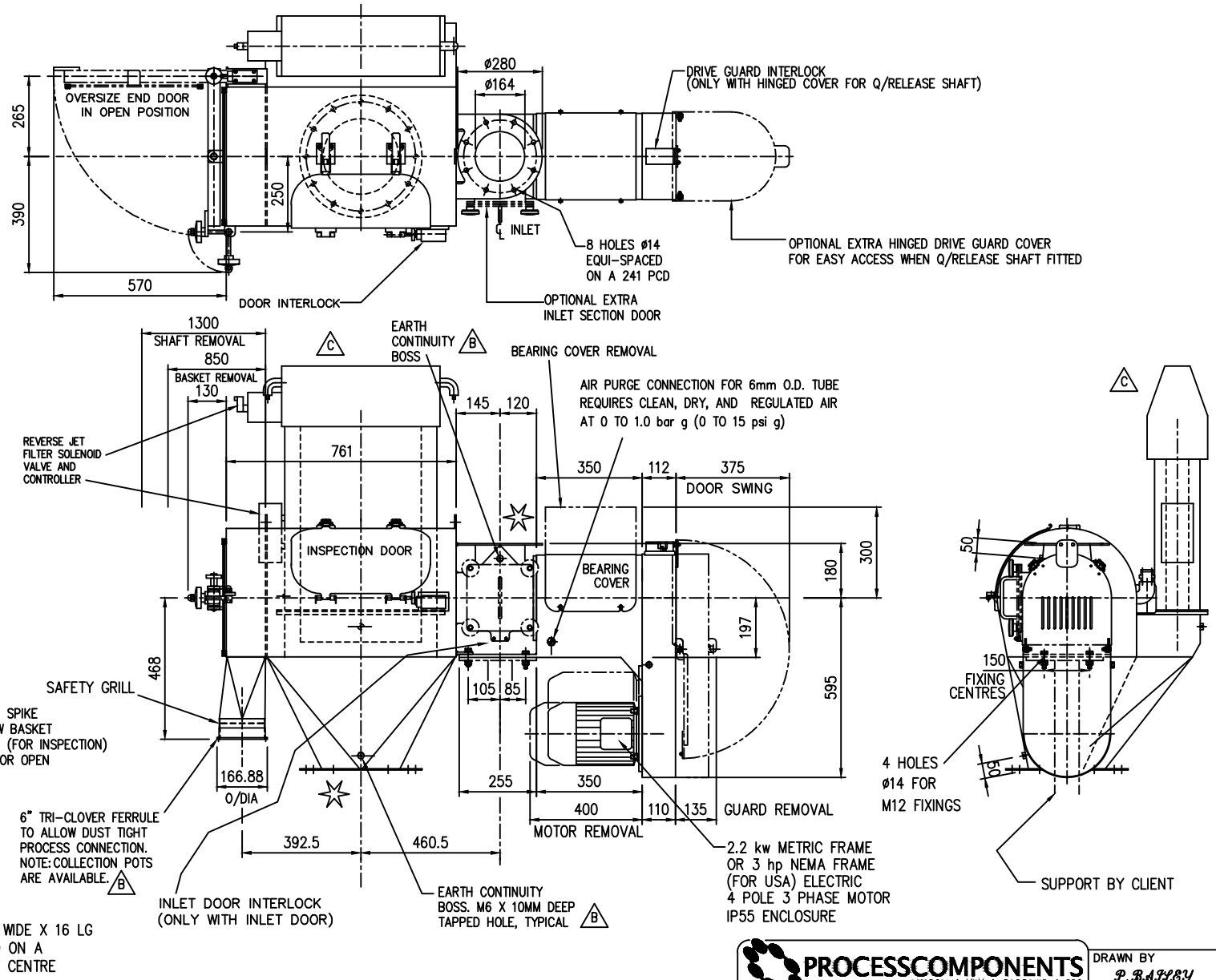
2) ALL SAFETY INTERLOCKS MUST BE WIRED INTO MOTOR CONTROL CIRCUIT TO PREVENT THE MOTOR RUNNING OR DE-ENERGISE THE MOTOR IF ALREADY RUNNING SHOULD THE INTERLOCKS BE ACTUATED BY OPENING ANY DOOR. REFER TO INSTRUCTION MANUAL. INTERLOCKS PROVIDED WITH 1 PAIR N/C CONTACTS AND 1 PAIR N/O CONTACTS.

3) SCREEN AREA: 0.32m² (K650C)

4) APPROX NET WEIGHT: 200KG

5) SIFTER SPEED 700RPM. ANTI-CLOCKWISE ROTATION WHEN VIEWED FROM THE OVERSIZE END

6) BOSSES PROVIDED TO FACILITATE EARTH CONTINUITY ACROSS INLET AND FINES OUTLET FLANGES.



THIS DRAWING IS THE PROPERTY OF PROCESS COMPONENTS LTD AND MUST NOT BE COPIED OR SHOWN TO A THIRD PARTY WITHOUT THE WRITTEN CONSENT OF THIS COMPANY. © NOT PLOTTED

DRAWING SPECIFICATIONS
UNLESS OTHERWISE STATED
Screw threads to BS3643
ISO Metric Coarse Pitch Series (Medium Fit)
Surface Finish to BS1134 in micrometres
Welding Symbols to BS499 Part 2
Dimension & Geometrical Tolerances to BS308
Limits & Fits to BS4500
Remove all sharp edges and burrs

TOLERANCE SPECIFICATIONS
UNLESS OTHERWISE STATED
SHEET METAL DIMENSIONS
0 to 300 ± 1.00
300 to 1000 ± 2.00
Over 1000 ± 3.00
ANGULAR DIMENSIONS
± 0°-30'

MACHINED DIMENSIONS
0 to 150 ± 0.30
150 to 300 ± 0.40
Over 300 ± 0.50
UNMACHINED DIMENSIONS
0 to 150 ± 0.50
Over 150 ± 1.50

ALL DIMENSIONS IN MILLIMETRES
THIRD ANGLE PROJECTION
For all material, weld and finish specifications refer to purchase/works order unless stated otherwise

ISSUE C
WAM FILTER
DIMN 767 WAS
DIMN 564.
DCN 5204
D.B. 15/02/18

ISSUE B
OSE NOW
TRICLOVER WAS
PLAIN. EARTH
BOSSSES ADDED
P.B 26/02/04

ISSUE A
FIRST ISSUE
PB 17/04/01

PROCESSCOMPONENTS
MIDCON | KEK | GARDNER | SPS
Graphic House, Bank Street, Macclesfield Cheshire SK11 7AR
Tel: +44 (0)1625 412000 Fax: +44 (0)1625 412001
Email: sales@pro-components.com Web: www.pro-components.com

TITLE
K650C SIFTER WAM REVERSE
JET FILTER AIR RELIEF

DRAWING No
A2 DS506

ISSUE
C

DRAWN BY
P. B. J. LEBY

CHECKED BY

APPROVED BY

SCALE
1:10

DATE
12/04/01