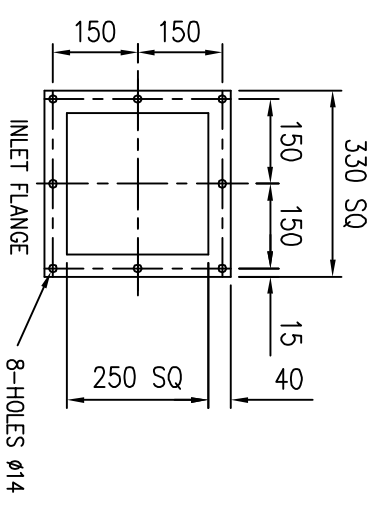
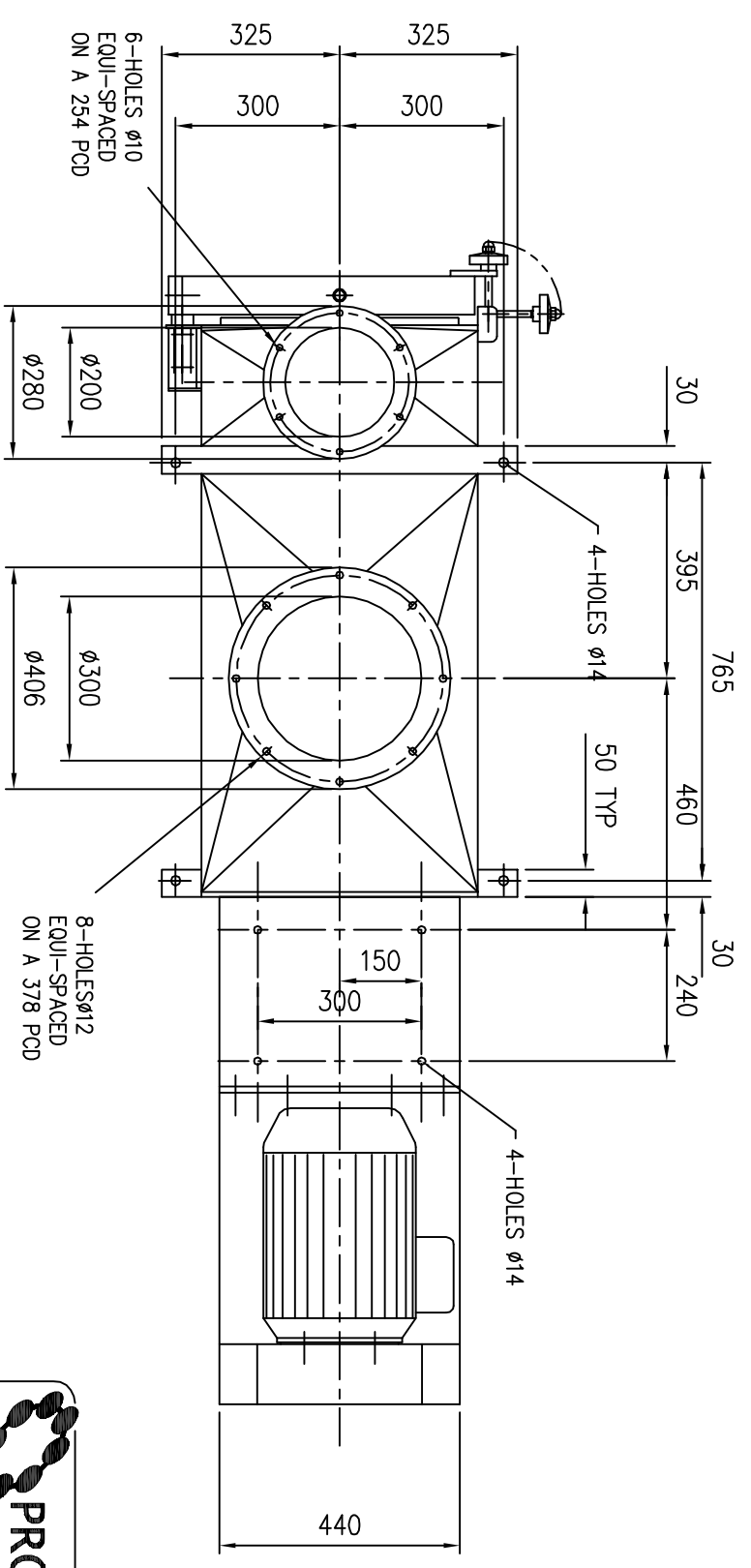
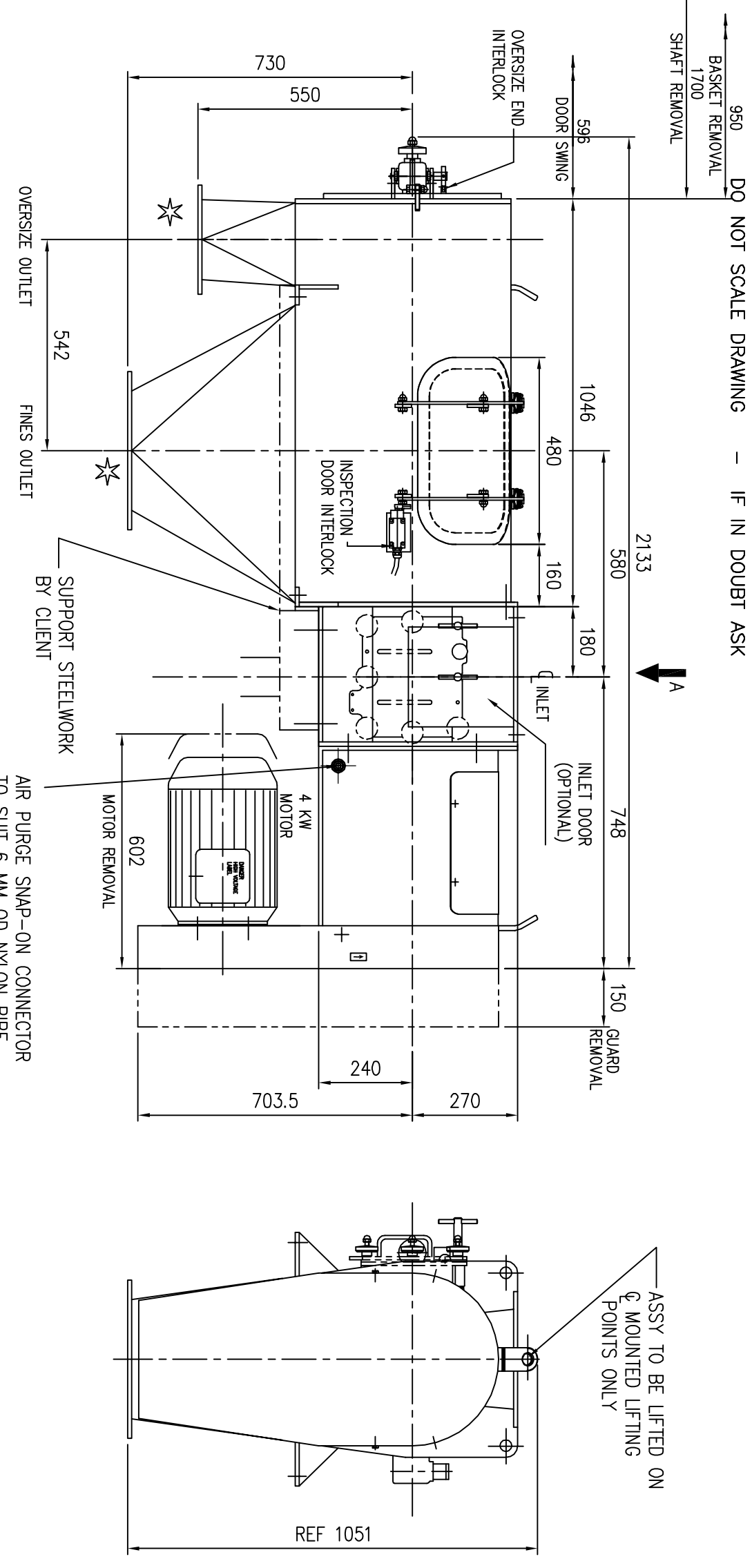
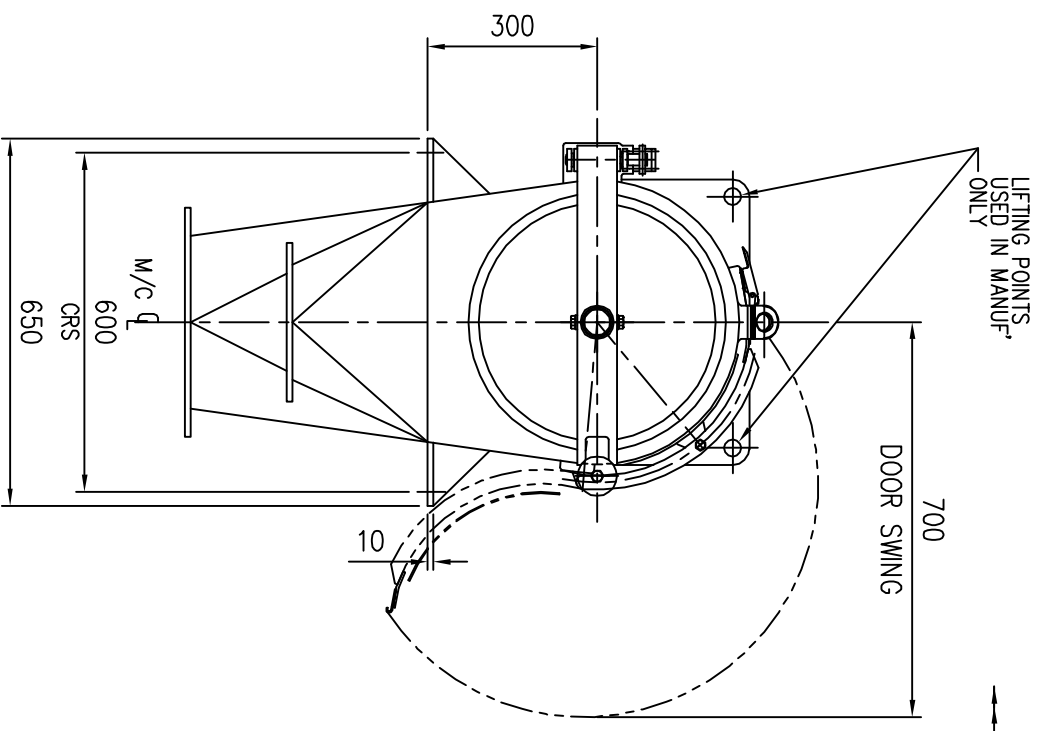


DO NOT SCALE DRAWING - IF IN DOUBT ASK



BASED ON DS492

WEIGHT-300 kg NET
SCREEN AREA-0.59 SQ METRES

INLET & OUTLET CONNECTIONS MUST BE SUITABLY GUARDED BY CLIENT TO PREVENT OPERATOR ACCESS TO ROTATING/MOVING PARTS IN LINE WITH RELEVANT SAFETY REGULATIONS.

NOTE- SAFETY INTERLOCKS MUST BE WIRED INTO MOTOR CONTROL CIRCUIT (BY CLIENT) TO PREVENT THE MOTOR RUNNING, OR DE-ENERGISE MOTOR IF ALREADY RUNNING, SHOULD THE INTERLOCK BE ACTUATED BY OPENING OF THE INSPECTION DOOR, OVERSIZE END & INLET DOOR (WHERE FITTED)

DRAWING SPECIFICATIONS
UNLESS OTHERWISE STATED

Screw threads to BS643
ISO Metric Coarse Pitch Series (Medium Fit)
Surface Finish to BS1134 in micrometres
Welding Symbols to BS499 Part 2
Dimension & Geometrical Tolerances to BS308
Limits & Fits to BS4300
Remove all sharp edges and burrs

TOLERANCE SPECIFICATIONS
UNLESS OTHERWISE STATED

SHEET METAL DIMENSIONS
0 to 200 ± 1.00
200 to 1000 ± 2.00
Over 1000 ± 3.00

MACHINED DIMENSIONS
0 to 150 ± 0.30
Over 150 ± 0.60

ANGULAR DIMENSIONS
± 0°-30'

UNMACHINED DIMENSIONS
Over 150 ± 1.50

ALL DIMENSIONS IN MILLIMETRES

THIRD ANGLE PROJECTION

For all material, weld and finish specifications refer to purchase/works order unless stated otherwise

ISSUE A
FIRST ISSUE
PB 08/02/16

TITLE
K800C CANTILEVER SIFTER
EXTERNAL DOOR SEAL

DRAWING No
A2 DS574

ISSUE A
DATE 08/02/16

PROCESS COMPONENTS
MUCON | KEK | GARDNER | PPS

Rupert House, London Road South, Poynton, Stockport, SK12 1PQ
Tel: +44 (0)1625 412000 Fax: +44 (0)1625 412001
Email: sales@pro-components.com Web: www.pro-components.com

DRAWN BY
P. B. J. G. G. G.

CHECKED BY

APPROVED BY
P. B. J. G. G. G.

SCALE 1:10