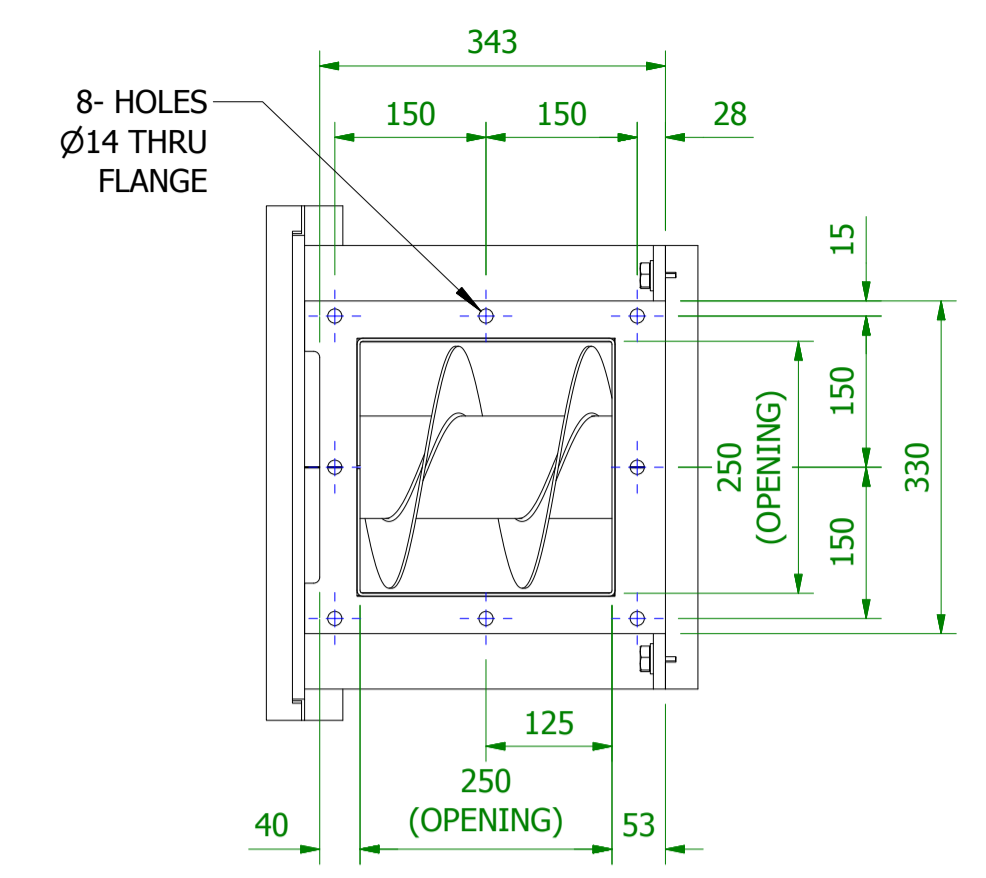
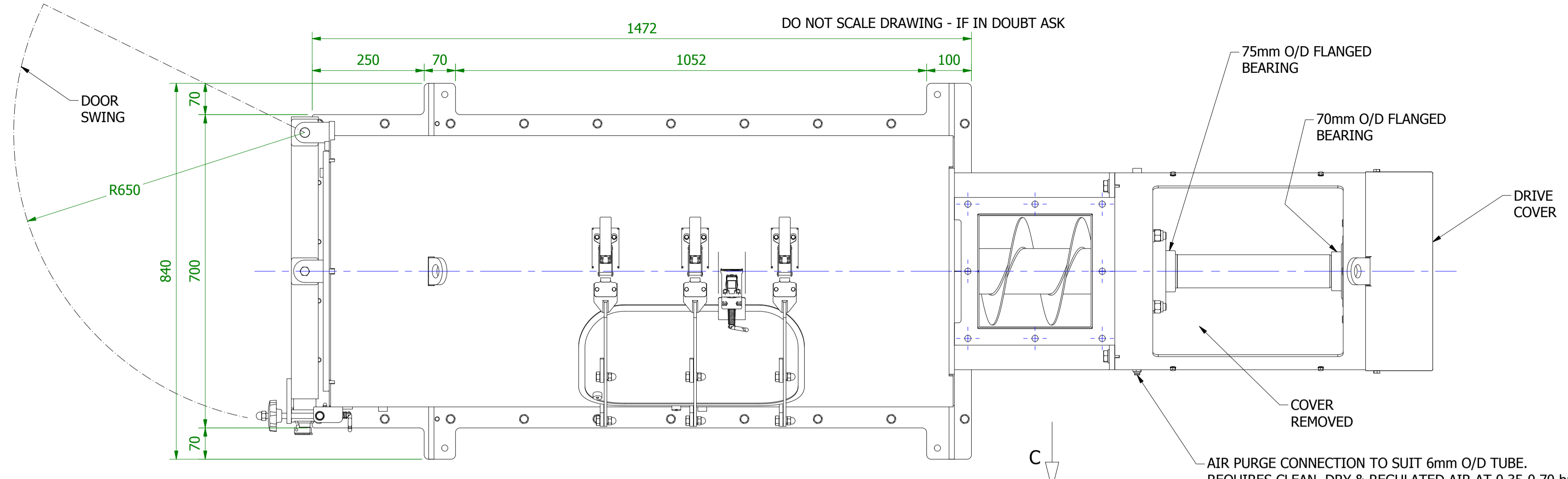
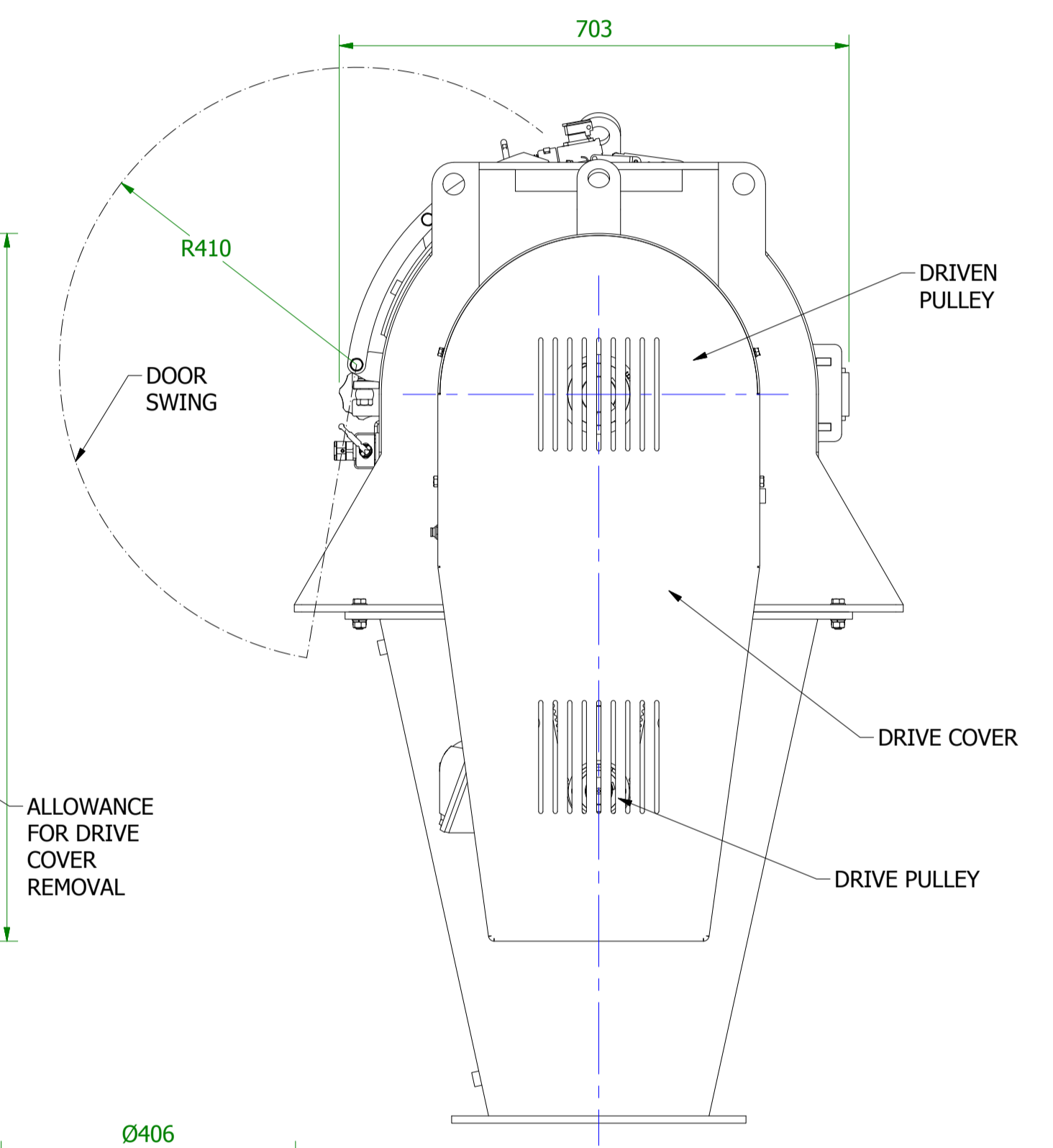
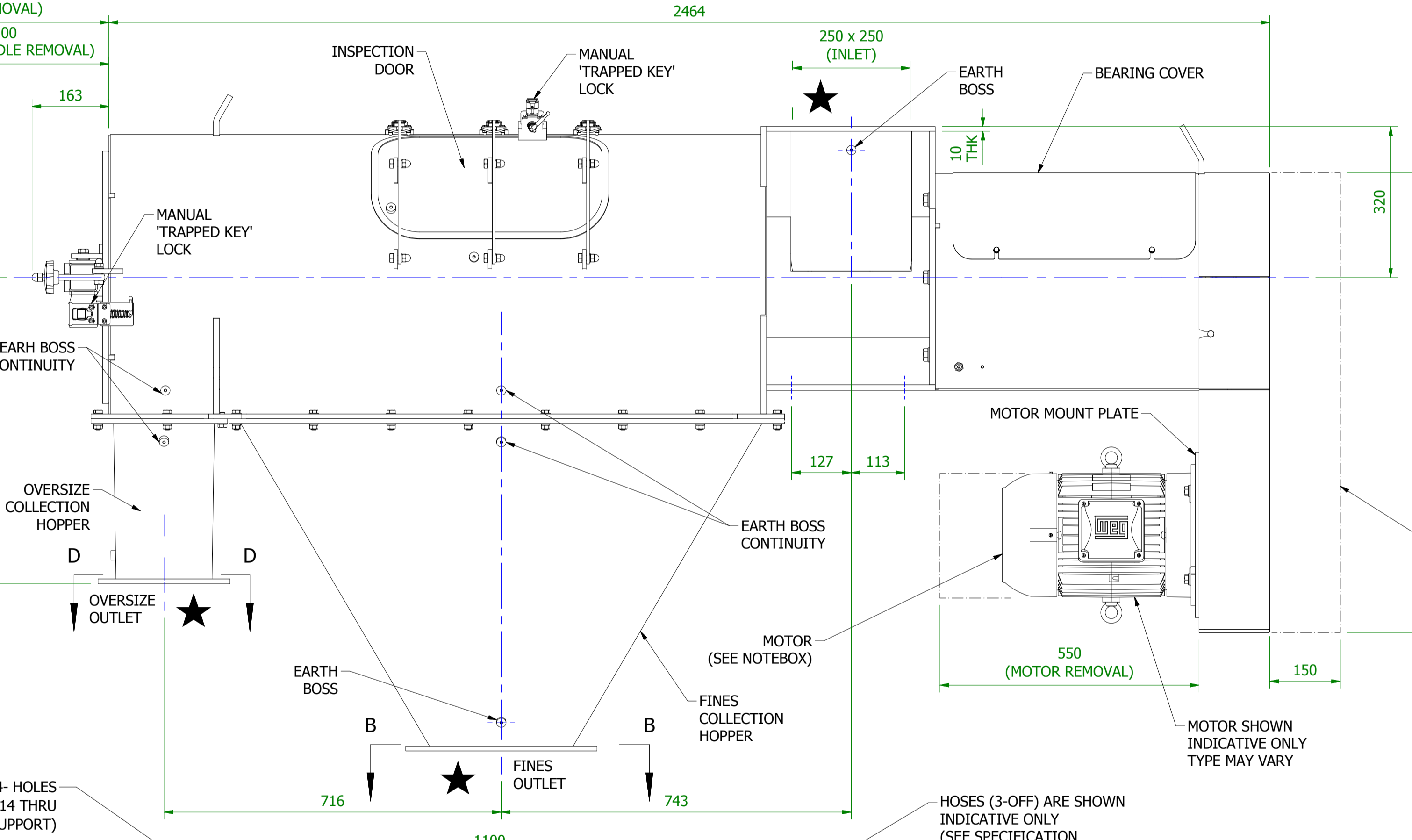
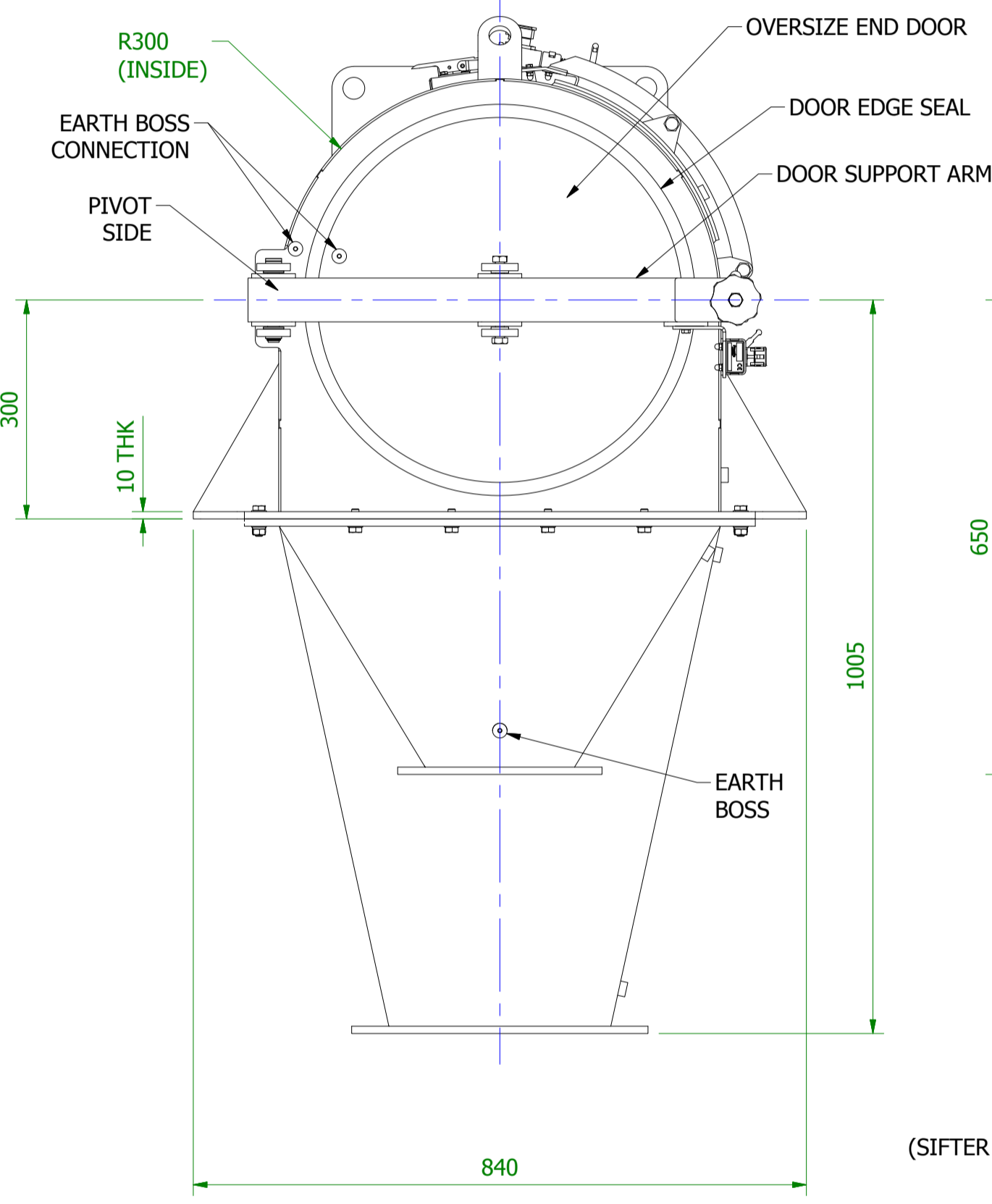


**NOTES**

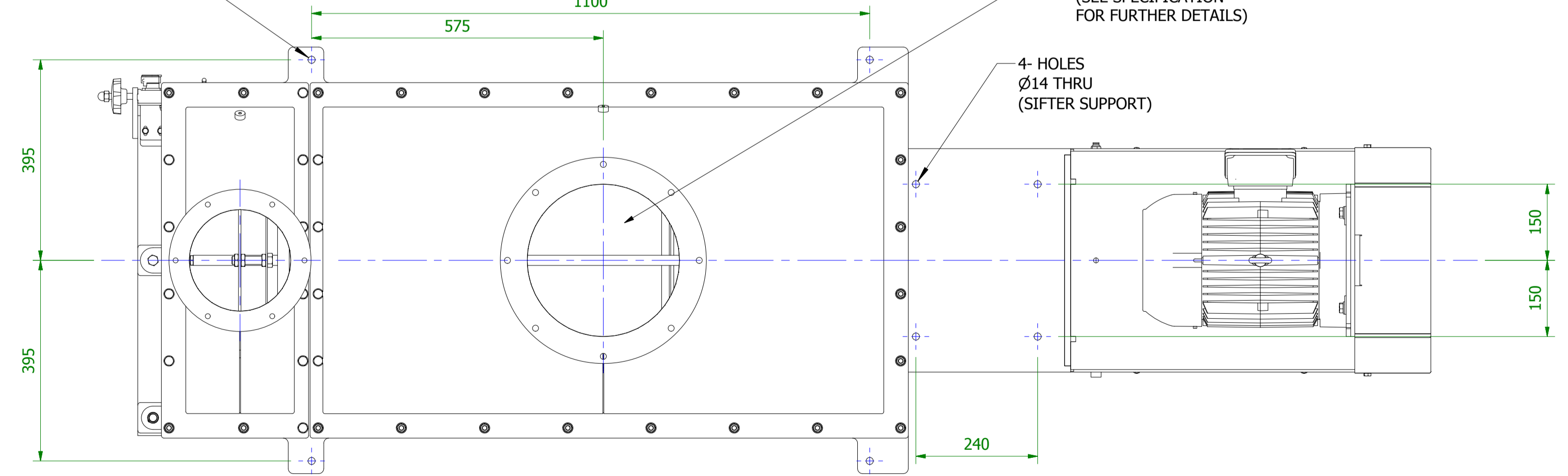
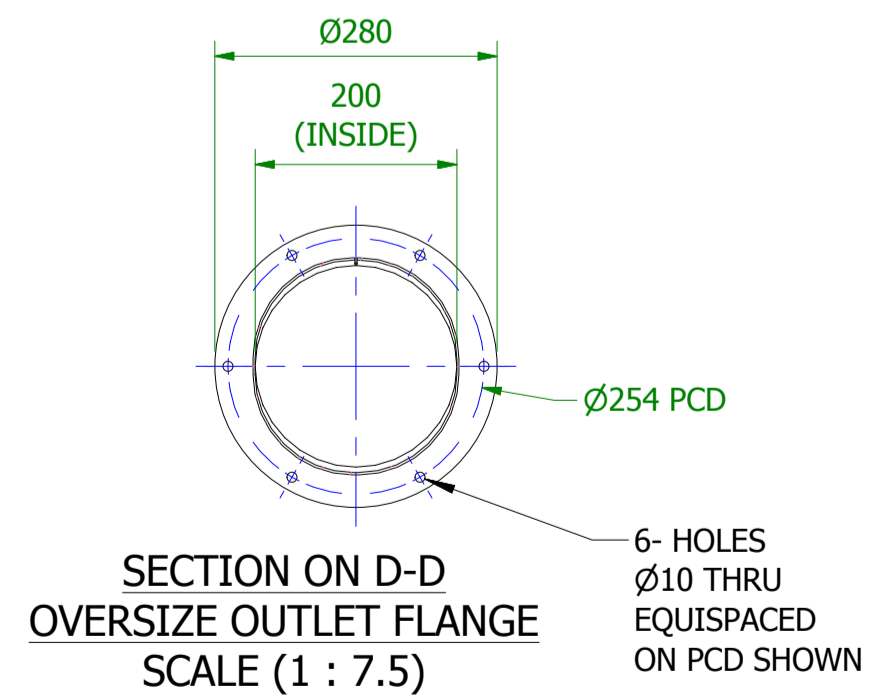
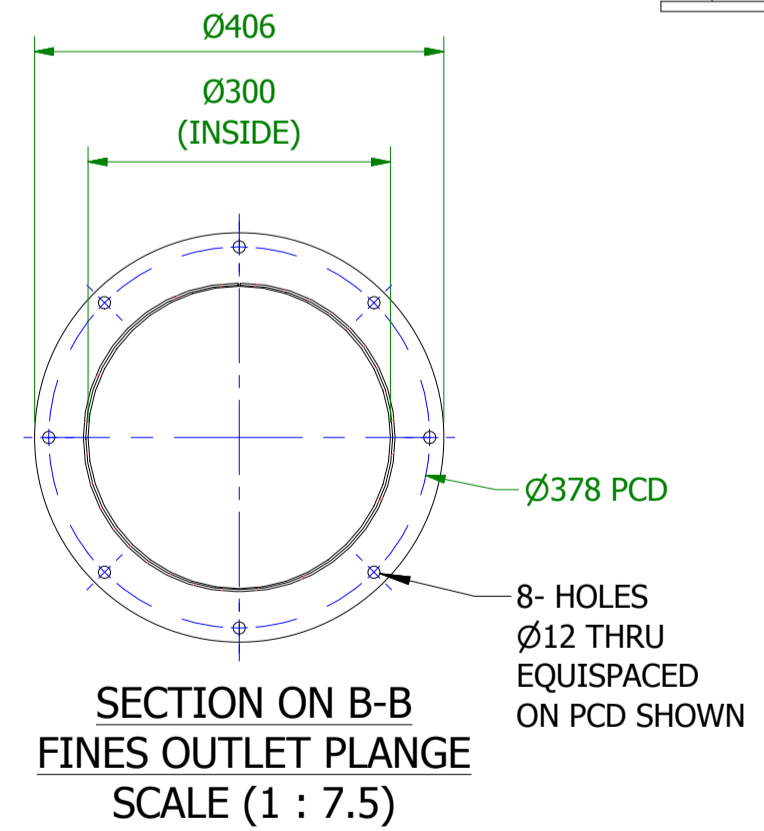
- ★ 1) INLET & OUTLET CONNECTIONS MUST BE SUITABLY GUARDED BY CLIENT TO PREVENT OPERATOR ACCESS TO THE ROTATING/MOVING PARTS IN LINE WITH ANY RELEVANT REGULATIONS. (BS EN ISO 13857:2008/PD 5304:2014 etc)
- 2) THE INTERLOCK SWITCHES ARE A MANUAL 'TRAPPED KEY' SYSTEM. ALL SAFETY INTERLOCKS MUST BE INSTALLED AS PER THE MANUFACTURERS INSTRUCTIONS TO PREVENT THE MOTOR RUNNING OR TO DE-ENERGISE THE MOTOR IF ALREADY RUNNING, SHOULD THE INTERLOCK KEY BE REMOVED FROM THE PANEL. REFER TO THE INSTRUCTION MANUAL FOR FURTHER DETAILS.
- 3) SCREEN AREA: (K1150C) (REFER TO SPEC)
- 4) APPROX. NETT WEIGHT: 485kg
- 5) SIFTER SPEED 500 rpm. ANTI-CLOCKWISE ROTATION WHEN VIEWED FROM THE OVERSIZE END.
- 6) BOSSES PROVIDED TO FACILITATE EARTH CONTINUITY ACROSS THE INLET, OVERSIZE OUTLET AND FINES OUTLET CONNECTIONS.



**PART VIEW ON ARROW - C  
SHOWING INLET FLANGE DETAILS  
SCALE (1 : 7.5)**



**MOTOR NOTE**  
7.5kW (10 Hp) ELECTRIC 4-POLE  
FIXED SPEED MOTOR  
PROTECTION - IP55



THIS DRAWING IS THE PROPERTY OF PROCESS COMPONENTS LTD AND MUST NOT BE COPIED OR SHOWN TO A THIRD PARTY WITHOUT THE WRITTEN CONSENT OF THIS COMPANY.

**DRAWING SPECIFICATIONS**  
UNLESS OTHERWISE STATED

Screw threads to BS3643  
ISO Metric Coarse Pitch Series (Medium Fit)  
Surface Finish to BS1134 in micrometres  
Welding Symbols to BS499 Part 2  
Dimension & Geometrical Tolerances to BS308  
Limits & Fits to BS4500  
Remove all sharp edges & burrs.

**TOLERANCE SPECIFICATIONS**  
UNLESS OTHERWISE STATED

SHEET METAL DIMENSIONS	MACHINED DIMENSIONS
0 to 300 ± 1.00	0 to 150 ± 0.30
300 to 1000 ± 2.00	Over 150 ± 0.60
Over 1000 ± 3.00	
ANGULAR DIMENSIONS ± 0°-30'	UNMACHINED DIMENSIONS
	0 to 150 ± 0.50
	Over 150 ± 1.00

**ALL DIMENSIONS IN MILLIMETRES**

THIRD ANGLE PROJECTION

For all material, weld and finish specifications, refer to purchase/works order unless stated otherwise.

ISSUE - A  
FOR INFORMATION ONLY  
TC - 09/01/18

**PROCESS COMPONENTS**  
MUCON | KEK | GARDNER | PPS

Rupert House, London Road South, Poynton, Stockport, SK12 1PQ  
Tel: +44 (0)1625 412000 Fax: +44 (0)1625 412001  
Email: sales@pro-components.com  
Web: www.pro-components.com

DRAWN BY T.Conolly  
CHECKED BY  
APPROVED BY  
TITLE K1150C SIFTER GENERAL ARRANGEMENT WITH OUTLET HOPPERS  
SCALE 1 : 7.5  
DATE 09/01/2018

DS577  
A