

NOTES:-

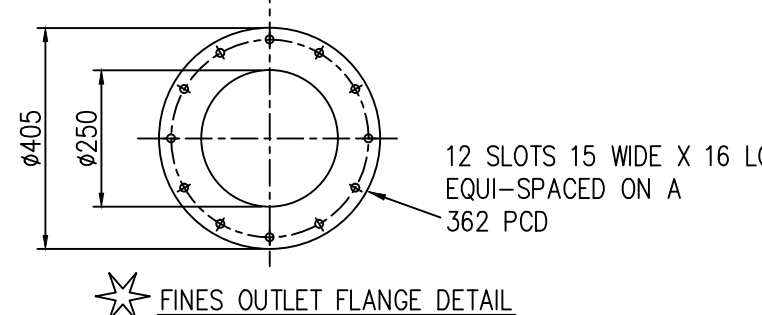
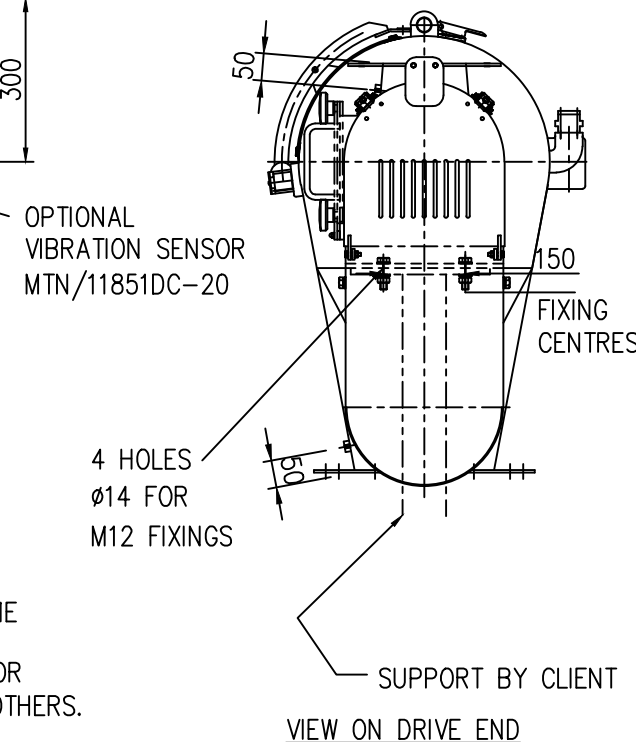
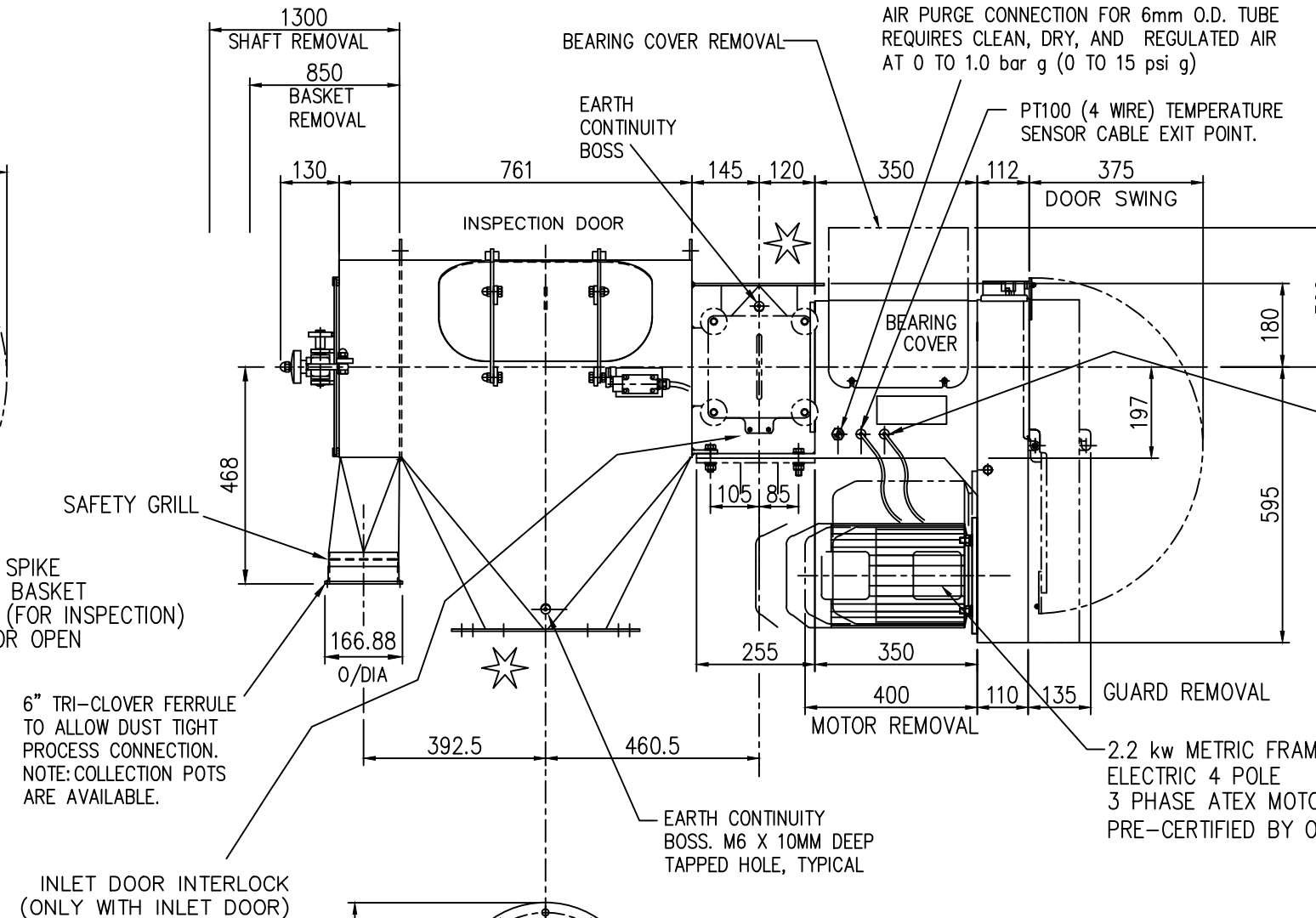
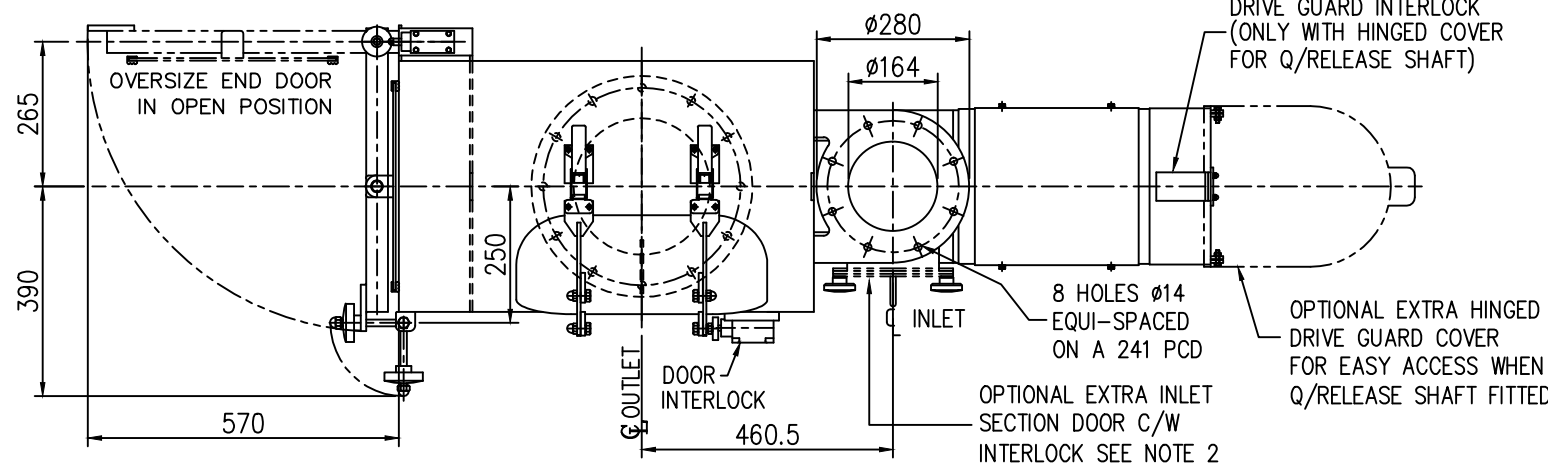
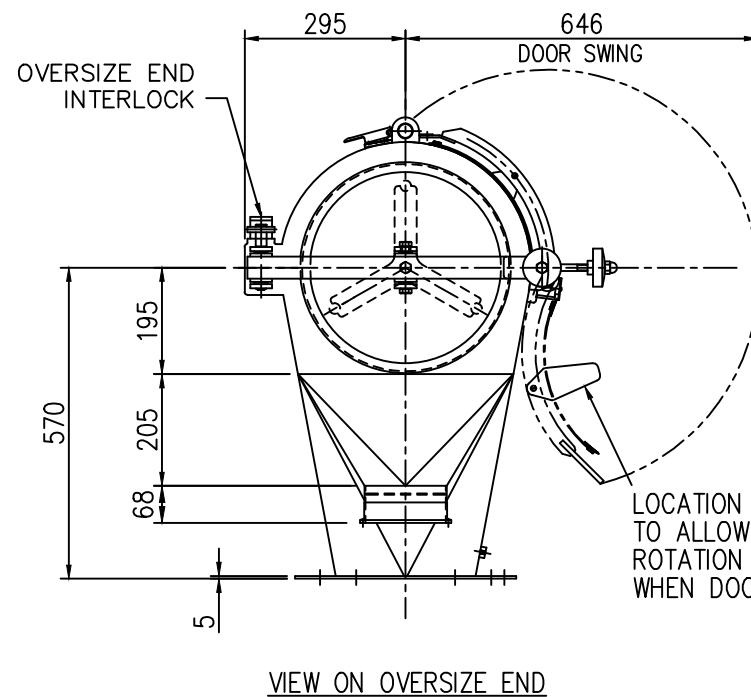
- 1) INLET & OUTLET CONNECTIONS MUST BE SUITABLY GUARDED BY CLIENT TO PREVENT OPERATOR ACCESS TO ROTATING/MOVING PARTS IN LINE WITH RELEVANT REGULATIONS (BS EN ISO 13857:2008 , PD 5304:2014 ETC)
- 2) ALL SAFETY INTERLOCKS MUST BE WIRED INTO MOTOR CONTROL CIRCUIT TO PREVENT THE MOTOR RUNNING OR DE-ENERGISE THE MOTOR IF ALREADY RUNNING SHOULD THE INTERLOCKS BE ACTUATED BY OPENING ANY DOOR. REFER TO INSTRUCTION MANUAL. INTERLOCKS PROVIDED WITH 1 PAIR N/C CONTACTS AND 1 PAIR N/O CONTACTS.
- 3) SCREEN AREA: 0.32m<sup>2</sup> (K650C)
- 4) APPROX NET WEIGHT: 200KG
- 5) SIFTER SPEED 710RPM. ANTI-CLOCKWISE ROTATION WHEN VIEWED FROM THE OVERSIZE END
- 6) BOSSES PROVIDED TO FACILITATE EARTH CONTINUITY ACROSS INLET AND FINES OUTLET FLANGES.

DO NOT SCALE DRAWING - IF IN DOUBT ASK

NOTES CONTINUED - :

- 7) PT100 BEARING TEMPERATURE SENSOR (PROVIDED) MUST BE CONNECTED TO SUITABLE TRIP AMPLIFIER VIA AN 'IS' BARRIER (USUALLY OF CLIENT SUPPLY). THIS IS A 'SPECIAL CONDITION OF USE', REQUIRED FOR COMPLIANCE WITH THE ATEX CERTIFICATION, SEE IOM MANUAL FOR FULL DETAILS. TRIP AMPLIFIER SET POINTS SHOULD INITIATE AN ALARM AT 113°C AND AN IMMEDIATE SHUT DOWN AT 116°C.
- 8) OTHER SPECIAL CONDITIONS OF USE REQUIRED FOR ATEX COMPLIANCE ARE:-
  - 8.1 AIR SUPPLY TO SHAFT PURGE SEALS MUST BE FILTERED, CLEAN AND DRY
  - 8.2 WHEN ANTI-STATIC NYLON HOSES ARE FITTED AN EARTH STRAP MUST BE CONNECTED FROM BASKET TO SIFTER BODY. THIS IS NOT NECESSARY FOR ALL OTHER BASKET TYPES.
  - 8.3 IF FITTED (NOT REQ'D FOR THE ATEX CERTIFICATION STATED BELOW) THE OPTIONAL VIBRATION SENSOR MUST BE WIRED VIA AN IS BARRIER TO PROVIDE TRIP POINTS AS SPECIFIED IN THE IOM MANUAL.
- 9) ATEX CERTIFIED FOR ZONE 20 INTERNALLY & SUITABLE FOR ZONES 21 OR 22 EXTERNALLY. SIFTER ATEX MARKED AS FOLLOWS:-

CE Ex II 1/2D Ex h IIIC T135°C Da/Db  
CE Ex II 1/3D Ex h IIIC T135°C Db/Dc



REF NOTE: THIS DRAWING IS IDENTICAL TO STANDARD DS474 BUT HAS SPECIAL BODY DOOR ARRANGEMENT

<p><b>PROCESSCOMPONENTS</b> MUCON   KEK   GARDNER   PPS Rupert House, London Road South, Poynton, Stockport, SK12 1PQ Tel: +44 (0)1625 412000 Fax: +44 (0)1625 412001 Email: sales@pro-components.com Web: www.pro-components.com</p>	DRAWN BY <i>D. Black</i>
	CHECKED BY
TITLE K650C SIFTER ARRGT EXTERNAL DOOR SEAL ATEX TYPE CERTIFIED	APPROVED BY <i>[Signature]</i>
DRAWING No A2 DS579	SCALE 1:10
ISSUE A	DATE 25/01/18

THIS DRAWING IS THE PROPERTY OF PROCESS COMPONENTS LTD AND MUST NOT BE COPIED OR SHOWN TO A THIRD PARTY WITHOUT THE WRITTEN CONSENT OF THIS COMPANY. ©

**DRAWING SPECIFICATIONS**  
UNLESS OTHERWISE STATED

Screw threads to BS3643  
ISO Metric Coarse Pitch Series (Medium Fit)  
Surface Finish to BS1134 in micrometres  
Welding Symbols to BS499 Part 2  
Dimension & Geometrical Tolerances to BS308  
Limits & Fits to BS4500  
Remove all sharp edges and burrs

**TOLERANCE SPECIFICATIONS**  
UNLESS OTHERWISE STATED

<b>SHEET METAL DIMENSIONS</b>	<b>MACHINED DIMENSIONS</b>
0 to 300 ± 1.00	0 to 150 ± 0.30
300 to 1000 ± 2.00	Over 150 ± 0.60
Over 1000 ± 3.00	
<b>ANGULAR DIMENSIONS</b>	<b>UNMACHINED DIMENSIONS</b>
± 0'-30'	0 to 150 ± 0.50
	Over 150 ± 1.50

**ALL DIMENSIONS IN MILLIMETRES**

THIRD ANGLE PROJECTION

For all material, weld and finish specifications refer to purchase/works order unless stated otherwise

ISSUE A

ISSUED FOR APPROVAL.

D.B 25/01/18