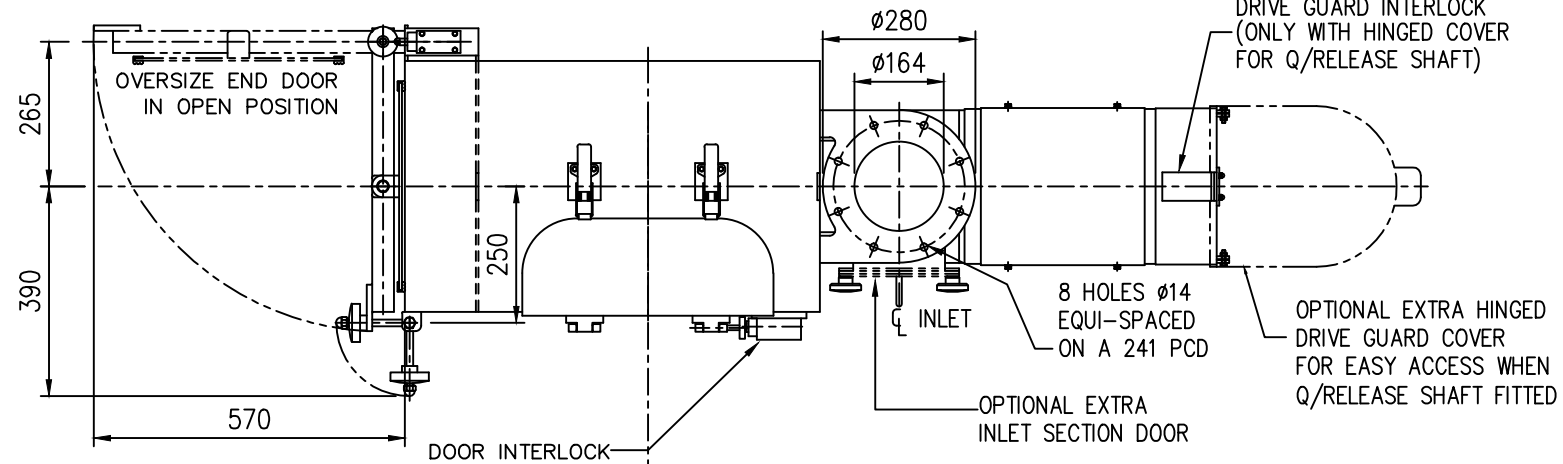


NOTES: -

- 1) INLET & OUTLET CONNECTIONS MUST BE SUITABLY GUARDED BY CLIENT TO PREVENT OPERATOR ACCESS TO ROTATING/MOVING PARTS IN LINE WITH RELEVANT REGULATIONS (BS EN 294/BS5304:1988 ETC)
- 2) ALL SAFETY INTERLOCKS MUST BE WIRED INTO MOTOR CONTROL CIRCUIT TO PREVENT THE MOTOR RUNNING OR DE-ENERGISE THE MOTOR IF ALREADY RUNNING SHOULD THE INTERLOCKS BE ACTUATED BY OPENING ANY DOOR. REFER TO INSTRUCTION MANUAL. INTERLOCKS PROVIDED WITH 1 PAIR N/C CONTACTS AND 1 PAIR N/O CONTACTS.
- 3) SCREEN AREA: 0.32m² (K650C)
- 4) APPROX NET WEIGHT: 200KG
- 5) SIFTER SPEED 700RPM. ANTI-CLOCKWISE ROTATION WHEN VIEWED FORM THE OVERSIZE END
- 6) BOSSES PROVIDED TO FACILITATE EARTH CONTINUITY ACROSS INLET AND FINES OUTLET FLANGES.

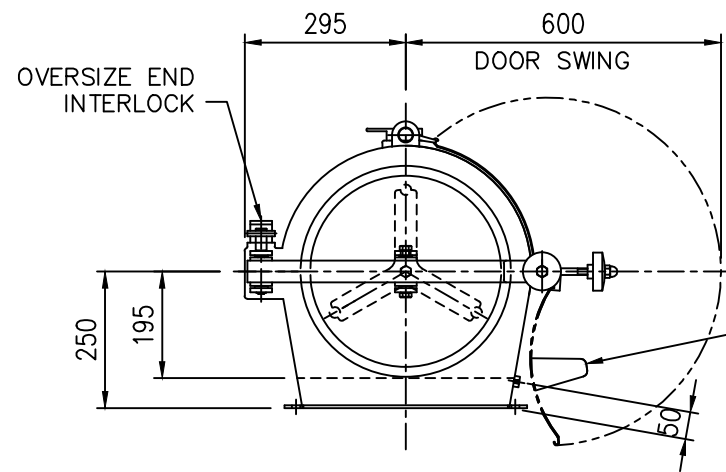
DO NOT SCALE DRAWING - IF IN DOUBT ASK



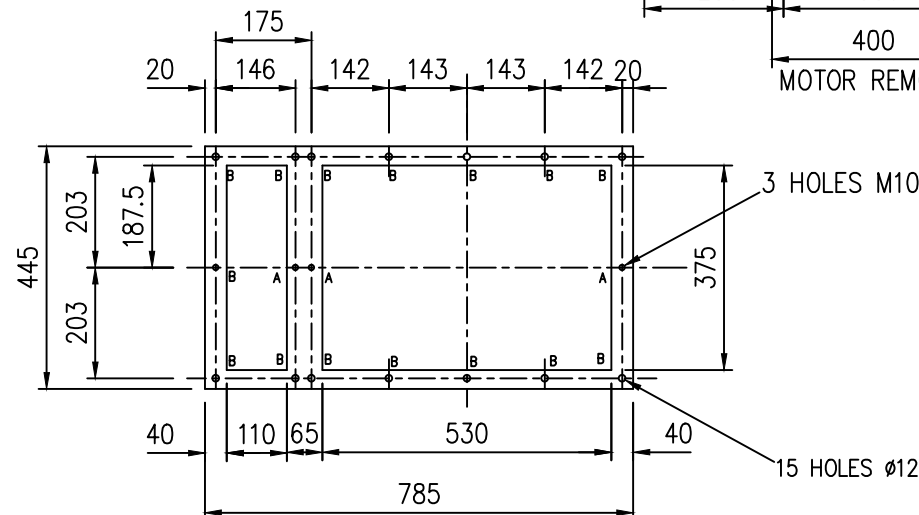
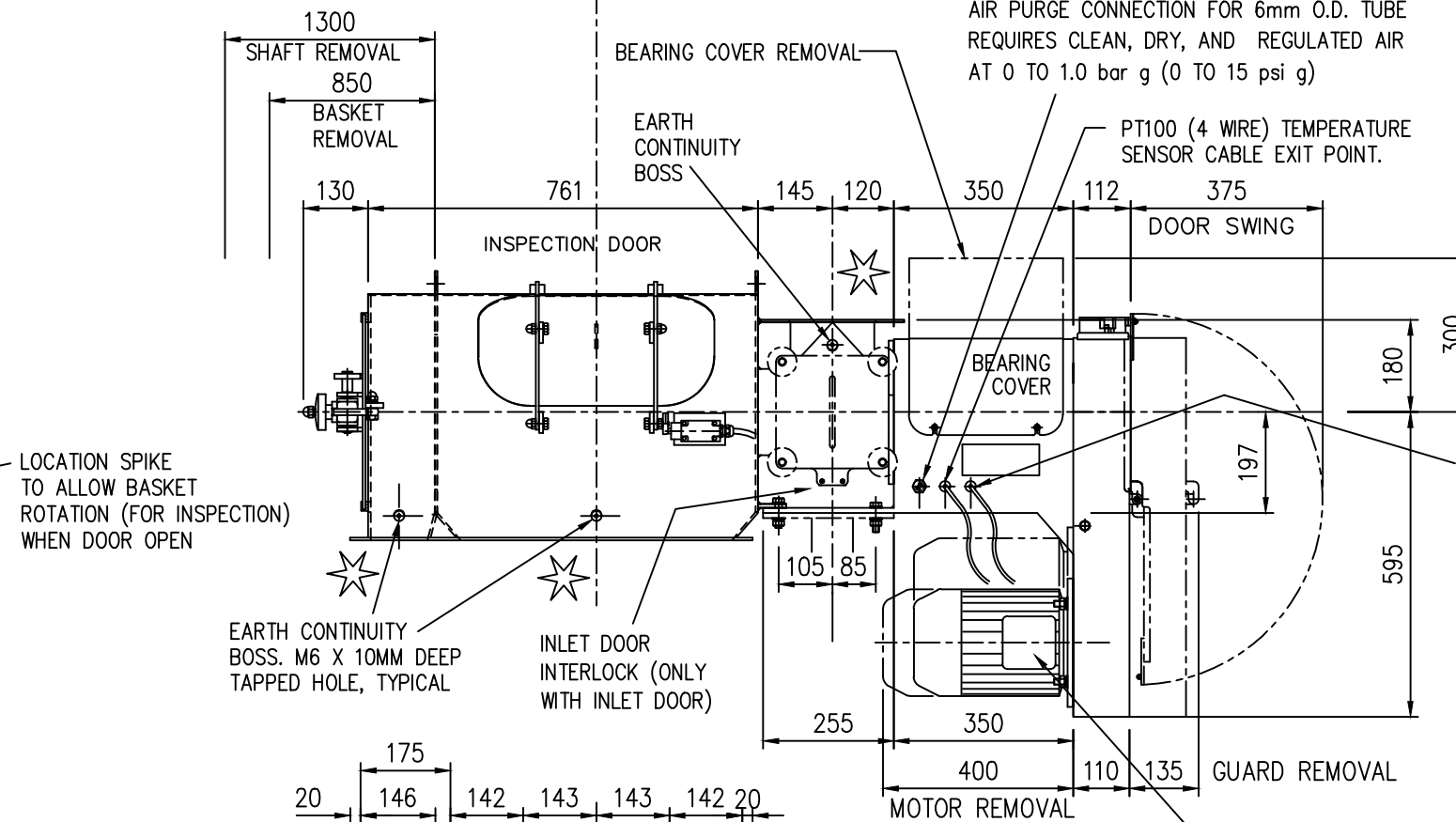
NOTES CONTINUED - :

- 7) PT100 BEARING TEMPERATURE SENSOR (PROVIDED) MUST BE CONNECTED TO SUITABLE TRIP AMPLIFIER VIA AN 'IS' BARRIER (USUALLY OF CLIENT SUPPLY). THIS IS A 'SPECIAL CONDITION OF USE', REQUIRED FOR COMPLIANCE WITH THE ATEX CERTIFICATION, SEE IOM MANUAL FOR FULL DETAILS. TRIP AMPLIFIER SET POINTS SHOULD INITIATE AN ALARM AT 113°C AND AN IMMEDIATE SHUT DOWN AT 116°C.
- 8) OTHER SPECIAL CONDITIONS OF USE REQUIRED FOR ATEX COMPLIANCE ARE:-
 - 8.1 AIR SUPPLY TO SHAFT PURGE SEALS MUST BE FILTERED, CLEAN AND DRY
 - 8.2 WHEN ANTI-STATIC NYLON HOSES ARE FITTED AN EARTH STRAP MUST BE CONNECTED FROM BASKET TO SIFTER BODY. THIS IS NOT NECESSARY FOR ALL OTHER BASKET TYPES.
 - 8.3 IF FITTED (NOT REQ'D FOR THE ATEX CERTIFICATION STATED BELOW) THE OPTIONAL VIBRATION SENSOR MUST BE WIRED VIA AN IS BARRIER TO PROVIDE TRIP POINTS AS SPECIFIED IN THE IOM MANUAL.
- 9) ATEX CERTIFIED FOR ZONE 20 INTERNALLY & SUITABLE FOR ZONES 21 OR 22 EXTERNALLY. SIFTER ATEX MARKED AS FOLLOWS:-

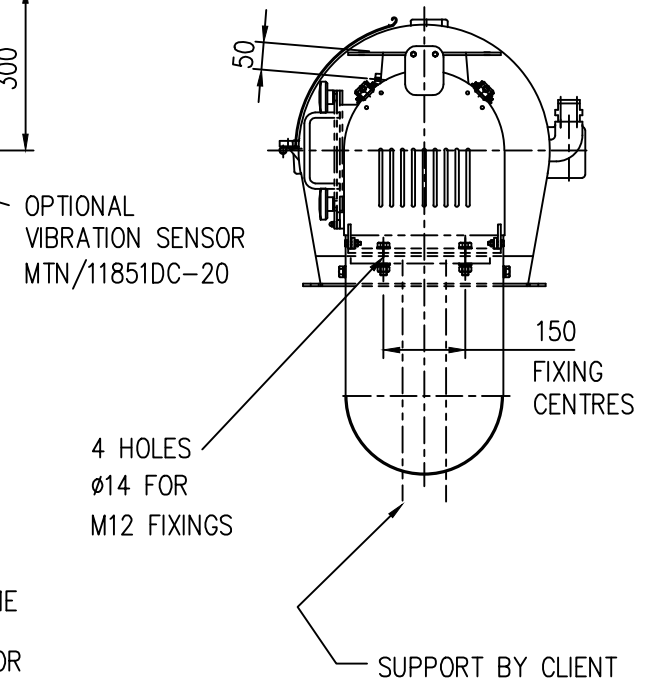
CE Ex II 1/2D Ex h IIIc T135°C Da/Db
CE Ex II 1/3D Ex h IIIc T135°C Db/Dc



VIEW ON OVERSIZE END



OVERSIZE & FINES OUTLET FLANGE DETAIL



PROCESSCOMPONENTS
MUCON | KEK | GARDNER | PPS
Graphic House, Bank Street, Macclesfield Cheshire SK11 7AR
Tel: +44 (0)1625 412000 Fax: +44 (0)1625 412001
Email: sales@pro-components.com Web: www.pro-components.com

DRAWN BY
D. Black

CHECKED BY

APPROVED BY
RB

SCALE
1:10

DATE
25/01/2018

ISSUE A
ISSUED FOR APPROVAL.
D.B 30/01/18

TITLE
K650C CANTILEVER RH DOOR CUT OFF BOTT. ATEX TYPE CERTIFIED
DRAWING No
A2 DS581
ISSUE
A

THIS DRAWING IS THE PROPERTY OF PROCESS COMPONENTS LTD AND MUST NOT BE COPIED OR SHOWN TO A THIRD PARTY WITHOUT THE WRITTEN CONSENT OF THIS COMPANY. ©

DRAWING SPECIFICATIONS
UNLESS OTHERWISE STATED
Screw threads to BS3643
ISO Metric Coarse Pitch Series (Medium Fit)
Surface Finish to BS1134 in micrometres
Welding Symbols to BS499 Part 2
Dimension & Geometrical Tolerances to BS308
Limits & Fits to BS4500
Remove all sharp edges and burrs

TOLERANCE SPECIFICATIONS
UNLESS OTHERWISE STATED
SHEET METAL DIMENSIONS
0 to 300 ± 1.00
300 to 1000 ± 2.00
Over 1000 ± 3.00
MACHINED DIMENSIONS
0 to 150 ± 0.30
Over 150 ± 0.60
UNMACHINED DIMENSIONS
0 to 150 ± 0.50
Over 150 ± 1.50
ANGULAR DIMENSIONS
± 0°-30'

ALL DIMENSIONS IN MILLIMETRES
THIRD ANGLE PROJECTION
For all material, weld and finish specifications refer to purchase/works order unless stated otherwise